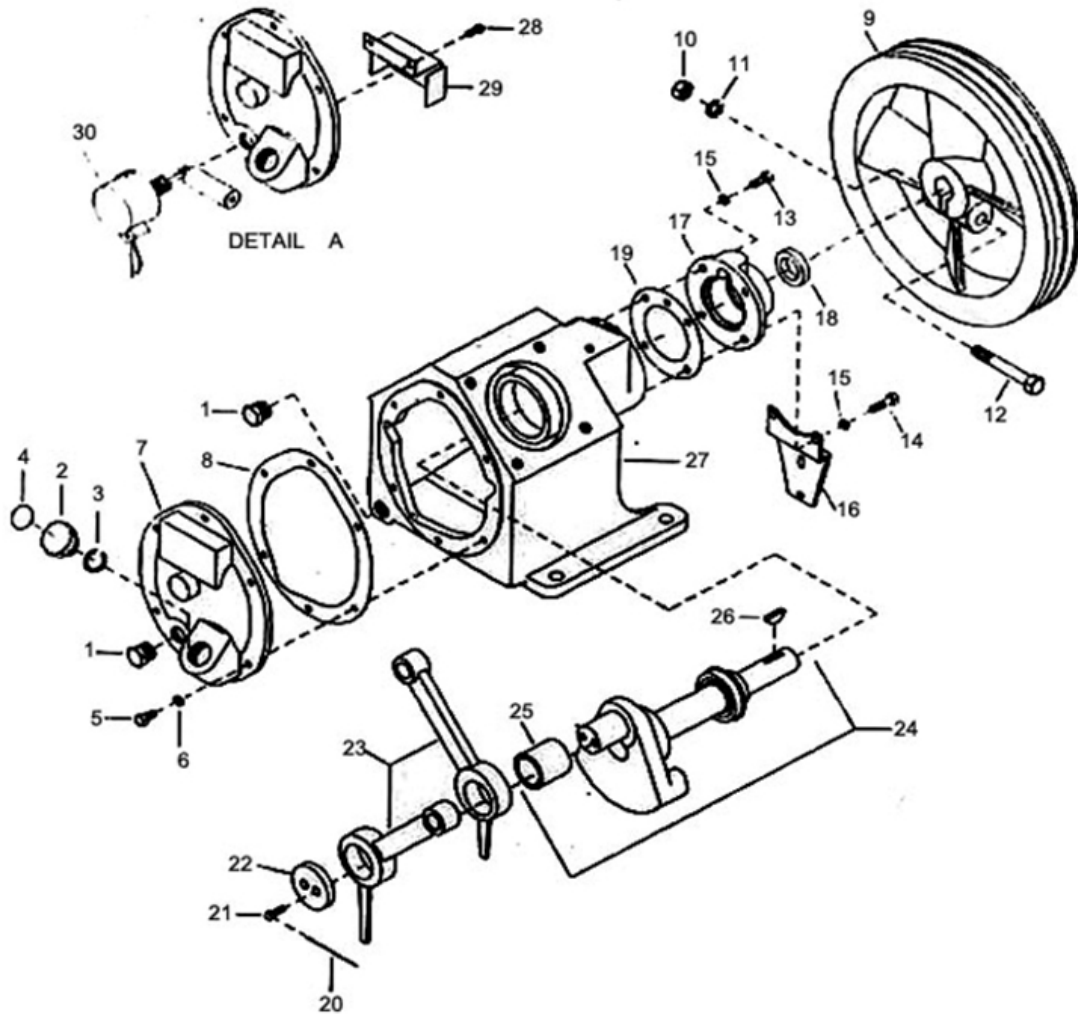


1. COMPRESSOR FRAME ASSEMBLY - MODEL 242



All manufacturer's names, numbers, photos, product description and/or part numbers are used for reference purposes only & it is not implied that any part listed is the product of these manufacturers. Since Approvement are made from time to time, the illustration and specifications are subject to change without notice.

1. COMPRESSOR FRAME ASSEMBLY - MODEL 242

No.	Description	Ref Part No.	QTY
1-1	Plug, Pipe-Hex Head 1/2"	95344651	2
1-2	Plug, Oil Filler-Complete	30216055	1
1-3	– O Ring	95022158	1
1-4	Decal, Hand Tighten	32000655	1
1-5	Capscrew - Hex Head	95227302	6
1-6	Gasket - Copper Washer	95043238	6
1-7	Cover Frame End	37127800	1
1-8	Gasket, Frame End Cover	30439319	1
1-9	Wheel, "V"- Belt	32145146	1
1-10	– Nut-Hex	95077798	1
1-11	– Lockwasher, Spring-1/2"	85716890	1
1-12	– Capscrew - Hex Head	95053682	1
1-13	– Capscrew - Hex Head	95227302	2
1-14	– Capscrew - Hex Head	95079984	2
1-15	Gasket - Copper Washer	95674651	4
1-16	Bracket, Intercooler Clamp	32157349	1
1-17	Cover, Shaft End	37127677	1
1-18	Seal, Oil	32204539	1
1-19	Gasket, Shaft End Cover	30294995	1
1-20	Lockwire, 12 GA X 5"	90799289	1
1-21	– Capscrew - Hex Head	30278667	2
1-22	Cap, Crankpin	30210298	1
1-23	Rod, Connecting	32004152	2
1-24	Crankshaft - Complete	32146052	1
1-25	– Bushing, Crankpin	30210199	1
1-26	– Key, Woodruff	95433173	1
1-27	Crankcase	32012932	1
	Optional Equipment Detail A		
1-28	– Capscrew - Hex Head	95311650	2
1-29	Baffle, Low Oil Level Switch	30285597	1
1-30	Switch, Low Oil Level	32201527	1

All manufacturer's names, numbers, photos, product description and/or part numbers are used for reference purposes only & it is not implied that any part listed is the product of these manufacturers. Since Approvement are made from time to time, the illustration and specifications are subject to change without notice.